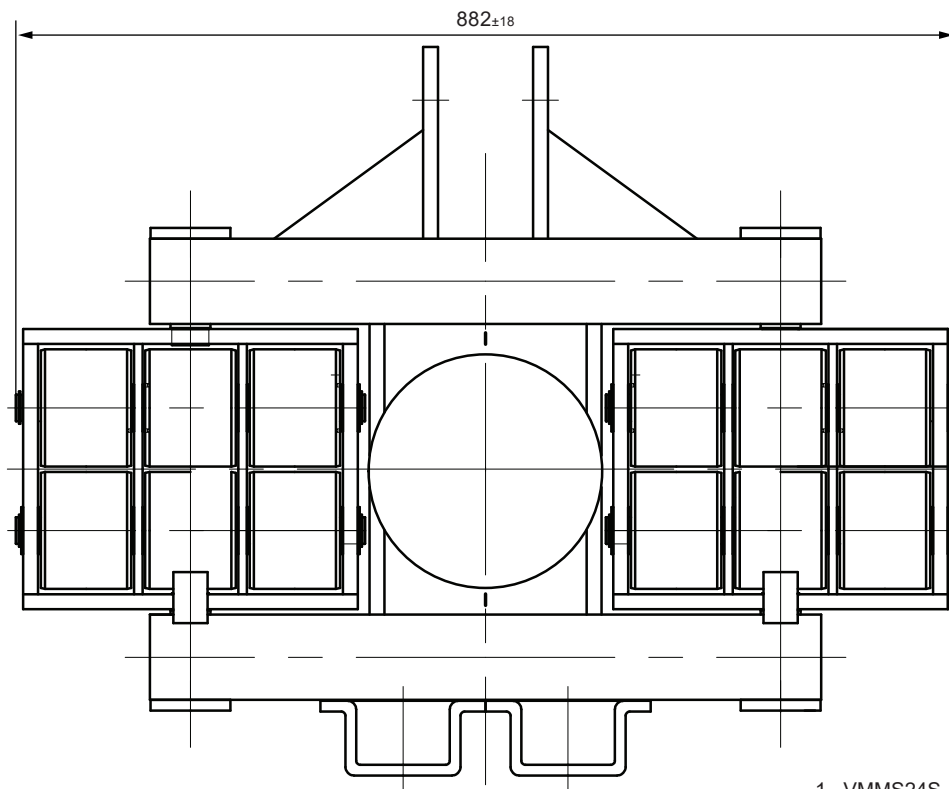
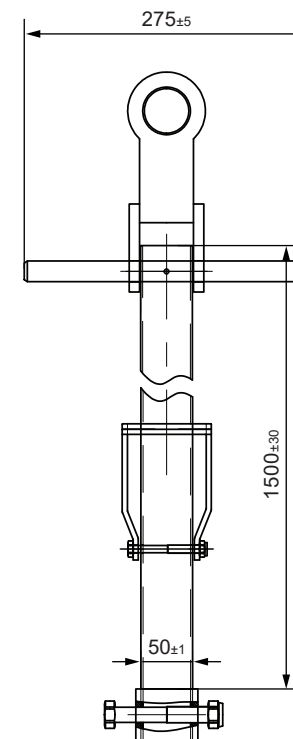
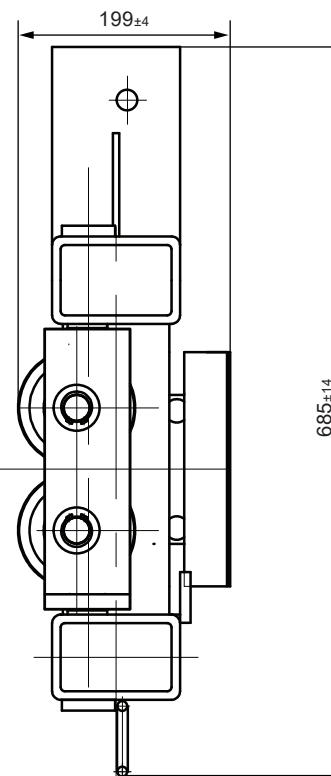


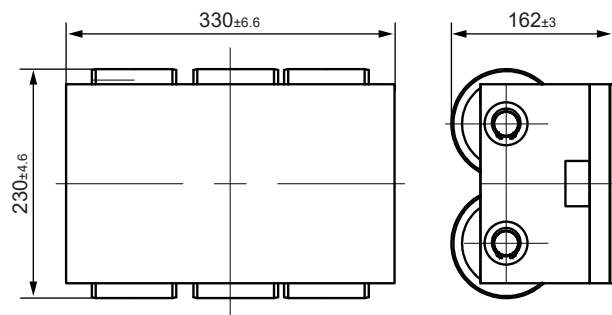
VMMS48
48 TONNE CAPACITY MACHINERY MOVING SKATE



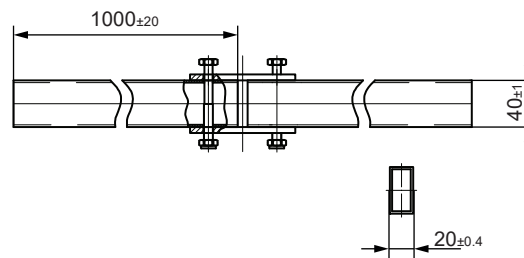
1. VMMS24S



HAND LEVER



2. VMMS12T



CONNECTOR BAR

Assembly (48t) consists of the following:		
Item	Product	Qty
1.	VMMS24S - 24T STEERING SECTION	1
2.	VMMS12T - 12T TRAILING SECTION	2
3.	TRAILING SECTION CONNECTOR BAR	1
4.	STEERING SECTION HAND LEVER	1

48 TONNE MACHINERY
MOVING SKATE SET

APPROVED	DATE
Josh Ranford	17.11.2022
Drawing ID	VMMS48/171122GT

PAGE 1 OF 1



GEORGE TAYLOR
LIFTING GEAR
(MIDLANDS) LTD.