



Tracked Dumper GEHLMAX

RD 8

RD 8H

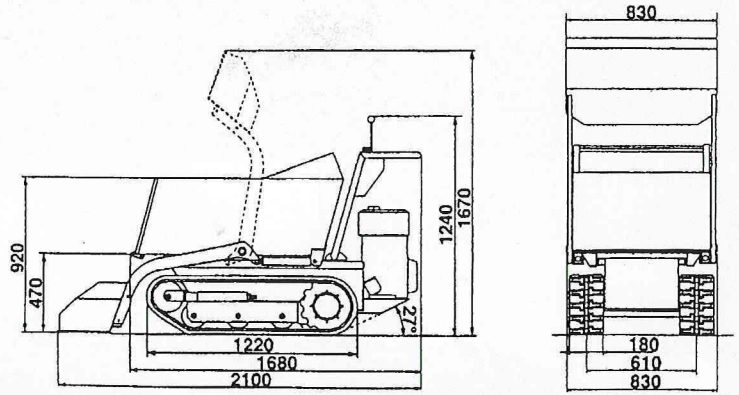
RD 8 HX

Your responsible dealer:

GEHL Europe GmbH
PO Box 1254
48483 Neuenkirchen
Germany
Tel. [0049] 5973 63 302
Fax [0049] 5973 63 303
e-mail: info@gehl.de
www.gehl.de

GEHLMAX

RD 8/RD8 H/RD8 HX



	RD 8	RD 8 H	RD 8HX
SKIP DIMENSIONS			
Skip length	1.185 mm	1.380 mm	1.050 mm
Skip width	732 mm	570 mm	720 mm
Skip height	405 mm	720 mm	400 mm
Skip Volume (m ³)	0,30 m ³	0,35 m ³	0,28 m ³
Tip angle	50°	50°	50°
Track width / length	180 / 720 mm	180 / 720 mm	180 / 720 mm
ENGINE			
Manufacturer	KUBOTA	KUBOTA	KUBOTA
Kind of engine	DIESEL	DIESEL	DIESEL
Power output max.	13 HP / 9,6 kW	13 HP / 9,6 kW	13 HP / 9,6 kW
@	3.600 rpm	3.600 rpm	3.600 rpm
Cylinders	2	2	2
Displacement	479 cm	479 cm	479 cm
DRIVE HYDRAULICS			
System Flow	2 x 25 l/min	2 x 25 l/min	2 x 25 l/min
System Pressure	220 bar	220 bar	220 bar
WORK HYDRAULICS			
System Flow	20 l/min	20 l/min	20 l/min
System Pressure	140 bar	140 bar	140 bar
Hydraulic Reservoir	18 L	18 L	18 L
MACHINE			
Transport weight	650 kg	610 kg	750 kg
Operating Load	800 kg	800 kg	800 kg
Ground Pressure - empty	0,15 kg/cm ²	0,14 kg/cm ²	0,17 kg/cm ²
Ground Pressure - loaded	0,33 kg/cm ²	0,32 kg/cm ²	0,33 kg/cm ²
Fuel Capacity	10 L	10 L	10 L
Speed	0 - 4 km/h	0 - 4 km/h	0 - 4 km/h
Gradability - empty	17° / 30 %	12° / 21 %	10° / 17 %
Gradability - loaded	17° / 30 %	12° / 21 %	10° / 17 %

RD 8 HX High-Tip-Dumper

The RD 8 HX is available with high-tip option. A heavy duty scissor lift offers 1.435 mm dump height which is the highest lift in its class.

The easy and efficient dumping into construction site containers is no problem. An additional self-loading bucket is available as an option.

